



英格爾科技股份有限公司

ENG ELECTRIC CO., LTD.

Revision : 01

Approval Sheet

CUSTOMER: _____

CUSTOMER MODEL NO.: _____

ENG MODEL NO.: 3A-10AWT05

ENG PART NO.: @3A-10AWT05-000

DESCRIPTION: Switching Power Supply

DATE: 2013/1/4

PREPARED	DESIGNED	CHECKED	APPROVED

APPROVAL DATE:

CUSTOMER APPROVAL		

總部：台灣桃園縣龜山鄉民生北路 1段536號5樓

Head Office: 5F,NO.536, Sec.1, Min Sheng N. Rd.,Kweishan Hsiang,Taoyuan Hsien,Taiwan

TEL: 886-3-2121133 / FAX: 886-3-2121561

工廠：深圳市寶安區福永街道白石廈東區淇譽路180號
中核集團工業區B棟

Factory: Block B, Nuclear Group Industrial District,
No.180,Qiyu Road,Baishixia,Fuyong Street,Bao'an,
Shenzhen,CHINA

TEL: 86-755-27307512

FAX: 86-755-27308049

工廠：深圳市寶安區福永街道新和社區福園一路天瑞工業園
A6棟第五層A

Factory: Area A,5th Floor,Block A6,Tianrui Industrial Zone,
Fuyuan 1st Road,Xinhe Community,Fuyong Street,Bao'an,
Shenzhen,CHINA

TEL: +86-755-27299155

FAX: +86-755-81443663

ENG ELECTRIC CO., LTD.

FILE NO.: EN-RDS-V013

FILE:@3A-10AWT05-000

SHEET: 01

1. Product characteristics

1General Description

Model 3A-10AWT05 is a universal switching-mode power supply, operating at input voltage 90VAC to 264VAC and output voltage of 5.0VDC with 2.0A DC load

1.2Electric Characteristics

1.2.1 Input

No	ITEM	SPECIFICATION
1.	Rated input Voltage	AC100V-240V
	Vibration input Voltage Range	AC90V-264V
2.	Frequency Rated	50-60Hz
	Frequency Vibration	47-63Hz
3.	Input Rated Current	300mA RMS Max
	Inrush Current	40A Max .at 115vac cool start
		80A Max. at 230vac cool start
4.	Leakage current	0.1mA
5	Efficiency	73.4% Min. CEC Compliant
6.	Input power(no load)	<0.3W CEC Compliant

ENG ELECTRIC CO., LTD.

FILE NO.: EN-RDS-V013

FILE: @3A-10AWT05-000

SHEET: 02

1.2.2: Output:

No	ITEM	SPECIFICATION	
1.	Output Voltage	5.0VDC	
2.	Output max. current	2.0A	
3.	Output min. Current	0A	
4.	Line regulation	± 1%	
5.	Output Voltage tolerance	± 5%	
6.	Over voltage protection	Protect through primary circuit IC	
7.	Short circuit protection	Output shut down and Auto restart	
8.	Ripple Voltage	150mV (p-p)	Input :(100V-240VAC)
			Output:Full load (*1)

Note: *1. Ripple&Noise test: Use 20MHz band width frequency oscilloscope.Add 0.1uF/47uF Capacitors at output connector terminal.

1.2.3 HI-POT SPECIFICATION

Input to output : 3000VAC or 4242VDC 10mA 1 minute.

1.2.4 Insulation resistance:

Input to output: 500Vdc to test the input to output resistance not be less 100M Ohm

1.2.5 Safety approved:

Type(Marking)	Country/Region	Standard
GS	Germany	Safety : EN 60950-1
CE	Europe	In accordance with the council directive 2004/108/EC Adapter Standard : EN61204-3 EMI : EN55022 EMS : EN55024 ErP 278/2009

1.2.6 PB-free standard:RoHS Compliant

ENG ELECTRIC CO., LTD.

FILE NO.: EN-RDS-V013

FILE: @3A-10AWT05-000

SHEET: 03

1.3 Mechanical characteristics

1.3.1 AC Plug: 2 PIN PLUG TYPE VDE

1.3.2 Weight : 55 g

1.3.3 Case Size:(L)59.8X (W)46.1 X (H)26.6mm

1.3.4 Normal operating temperature and humidity

1.3.5 Temperature

Operating: 0°C to 40°C

Storage : -10 °C to 70°C

1.3.6 Humidity

Operating : 20% to 80%.

Storage: 10% to 90%

ENG ELECTRIC CO., LTD.

FILE NO.: EN-RDS-V013

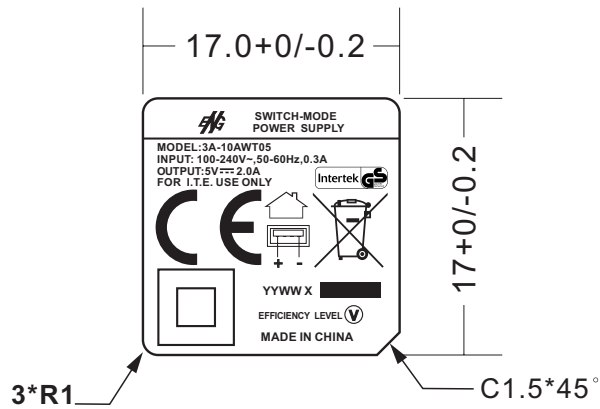
FILE@3A-10AWT05-000

SHEET: 03

2.Attachment:

- (Att.1) Label
- (Att.2) Outdrawing
- (Att.3) Package
- (Att.3.1) Package flow chart
- (Att.4) Electrical test report

Att.1



UNIT: mm

YYWW X YY:YEAR WW:WEEK X=S or A (S:FU YONG A:DONG GUAN)

ALUMINUM NAMEPLATE: ○ BLACK WORD ON SILVER BASE (銀底黑字)
鋁板

○ SILVER WORD ON BLACK BASE (黑底銀字)

METALIZED POLYESTER: ○ BLACK WORD ON SILVER BASE (銀底黑字)
消銀龍

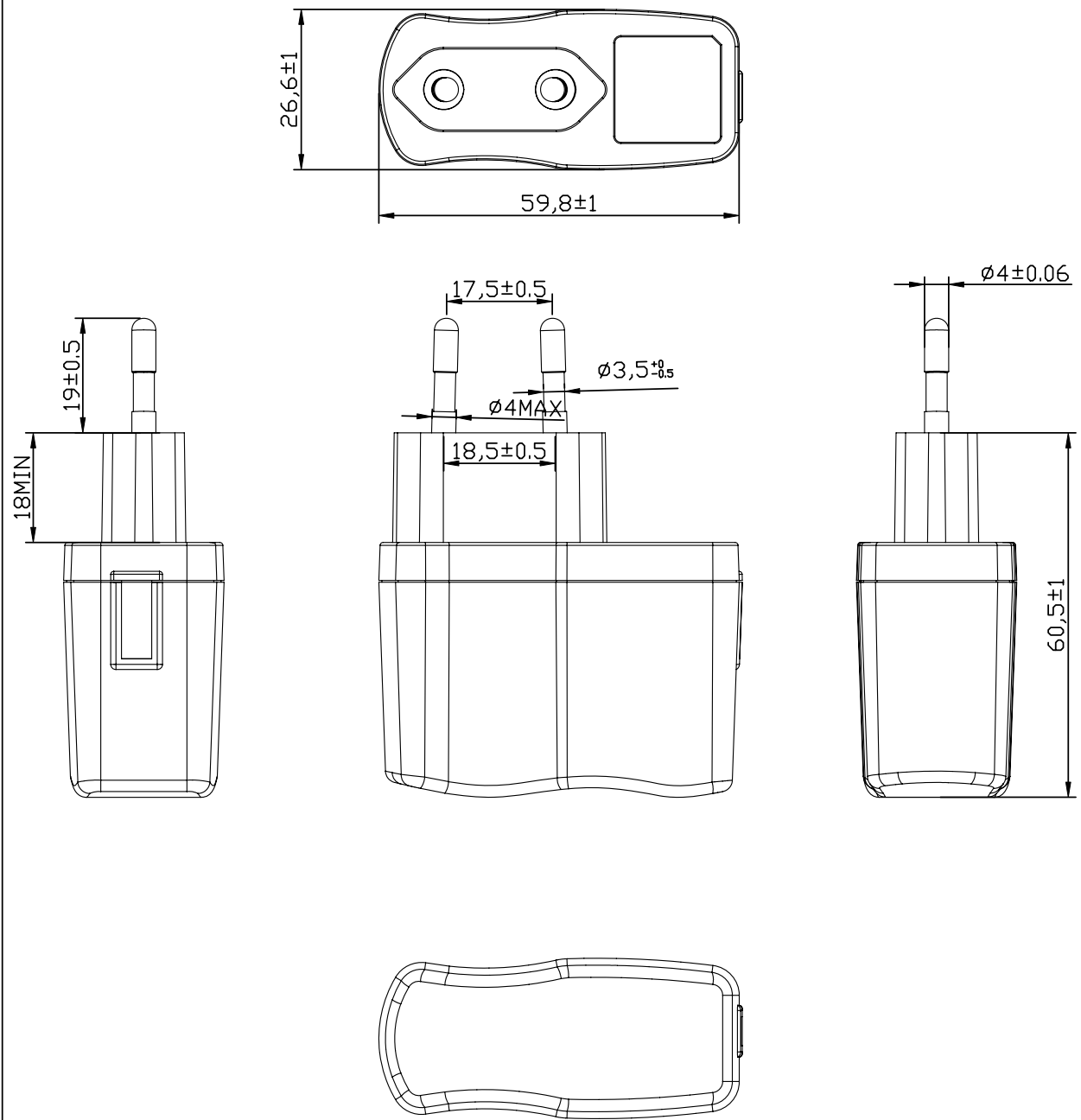
(SILVER MATTE) ● SILVER WORD ON BLACK BASE (黑底銀字)

@3A-10AWT05-000

TOLERANCE				

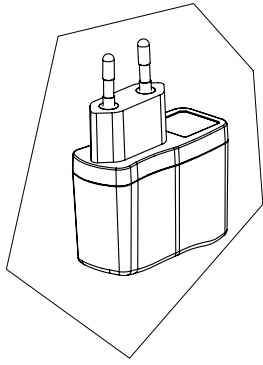
DESIGNED	CHECKED	APPROVED		TITLE	<p>LABEL</p>	DATE
Xuedd	Tianmi	LNB		UNITS		DRAWING NO.
				SCALE	<p>N20-A22000-A13</p>	
ENG ELECTRIC CO., LTD.					DRAWING NAME	REVISION
					1016	01

Att.2

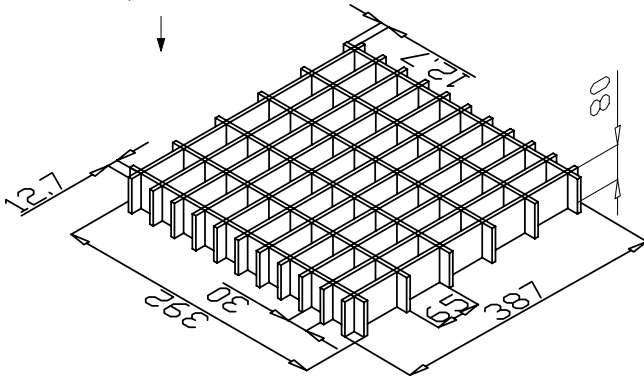


TOLERANCE				

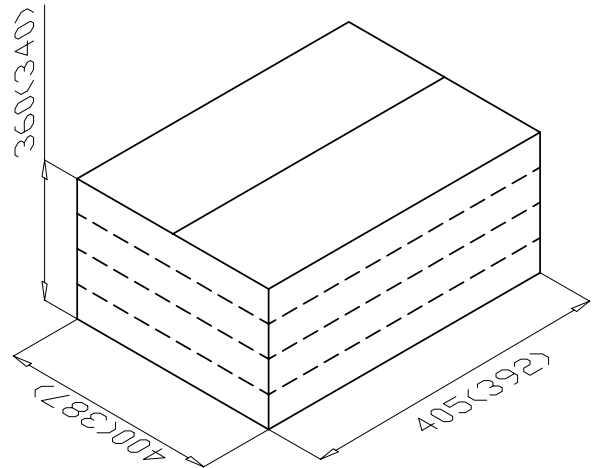
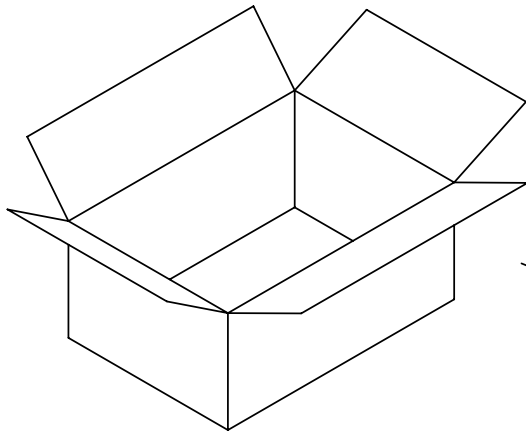
DESIGNED	CHECKED	APPROVED		TITLE	DATE
LQiang	LongS	LNB		UNITS	OUTDRAWING
				DRAWING No.	10/05/05
				101607-001	
ENG ELECTRIC CO., LTD.				DRAWING NAME	REVISION
				101607	01



CARTON SIZE: 405X400X360mm(A=B)
 外箱尺寸: 405X400X360mm(A=B)
 PARTITION BOARD: 392X387X3mm(5pcs)(B33)
 CROSS-CONNECTING BOARD: 392X80X6mm(24pcs)
 CROSS-CONNECTING BOARD: 387X80X6mm(44pcs)
 Q'TY: 200pcs(50x4)
 數量: 200pcs(50x4)



→ CELL PARTITION

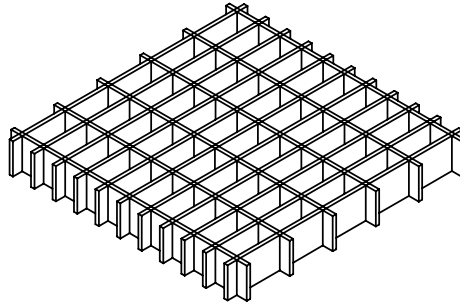
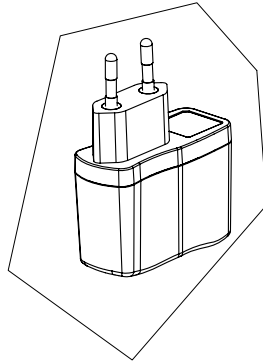


The tolerance of the internal dimensions of the carton is +7/-0
 紙箱內度尺寸公差為+7/-0

TOLERANCE				

DESIGNED	CHECKED	APPROVED		TITLE	DATE
Tanll	Tianm	LNB		UNITS	PACKAGE
				DRAWING No.	13/01/04
				SCALE	
ENG ELECTRIC CO.,LTD.				DRAWING NAME	REVISION
				BG-5040-V-60	01

PE BAG:0.045*110*200mm



TOLERANCE				

DESIGNED	CHECKED	APPROVED			TITLE	DATE
Xuedd	Tianm	LNB	UNITS	mm	PACKAGE FLOW CHART	13/01/04
			SCALE		DRAWING No.	REVISION
ENG ELECTRIC CO.,LTD.					3A-10AWT05-026	01
					DRAWING NAME	
					110*200	